

# BLUEPOWER

## WITH HYDROGEN FOR A CLEAN TOMORROW



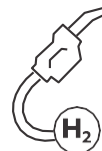
### ADVANTAGES



H<sub>2</sub> fuel cells as range extenders



Ranges of up to 400 km possible\*\*



Short charging times thanks to hydrogen refuelling in 7-15 minutes\*



Modular tank & fuel cell system

\* depending on tank volume  
 \*\* depending on operating conditions

## ABOUT THE BLUEPOWER

An emission-free, virtually silent hydrogen drive that, in combination with a fully electric chassis, achieves the operating times and ranges of conventionally powered vehicles. Utilises a glider based on the Mercedes Benz Econic chassis –

in combination with a drive train developed in-house. Ideal for use in the waste disposal industry and for cities, local authorities and waste disposal companies that want to rely on pioneering technology.

## SERIES OPTIONS

### BASIC CONSTRUCTION:

- **Battery pack** with battery capacity of 85 kWh
- **Fuel cells** with optional 30 to 90 kW
- **Hydrogen tanks** with storage capacity from 150 kWh to 600 kWh
- Extendable with various safety & assistance systems

### USE IN COMBINATION WITH:

- X-Family
- All common hydraulic and electric lift systems

Under certain conditions, hydrogen vehicles can be subsidised by the German government. Information can be obtained from NOW GmbH:



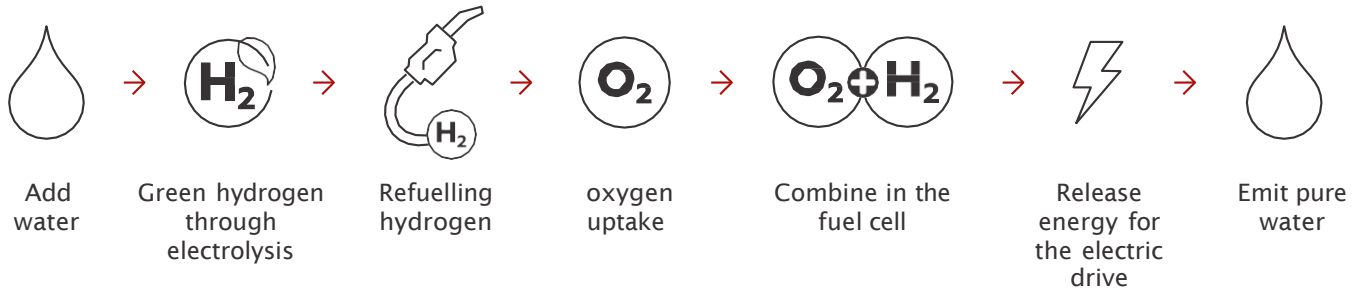
aufgrund eines Beschlusses  
des Deutschen Bundestages

### TECHNIK ENTSCHEIDET.

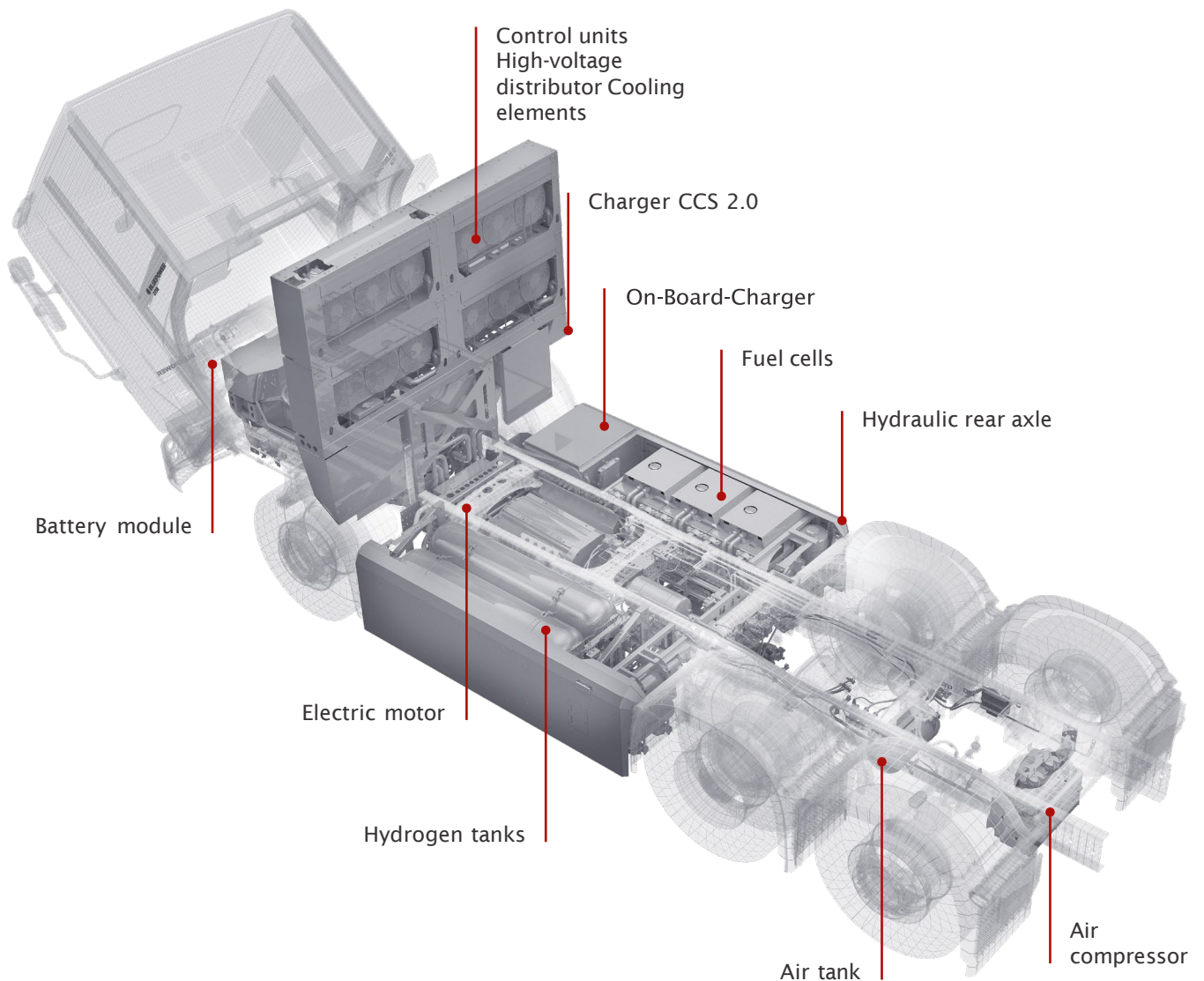
HALLER BENELUX B.V.  
Parallelweg 7 | 5321 JA Hedel  
Betonweg 8 | 8305 AG Emmeloord

[www.hallerbenelux.com](http://www.hallerbenelux.com)

**ON THE MOVE WITH HYDROGEN:  
THE PRINCIPLE OF CLIMATE-NEUTRAL DRIVE TECHNOLOGY**



**If the necessary BLUEPOWER components are installed in a chassis without conventional drive technology (gliders):**



**TECHNIK ENTSCHEIDET.**

HALLER BENELUX B.V.  
Parallelweg 7 | 5321 JA Hedel  
Betonweg 8 | 8305 AG Emmeloord

[www.hallerbenelux.com](http://www.hallerbenelux.com)